

# Information Sheet

## LMI's Car Wash Pumps

### Stroke Adjustable Only

Standard Models 115V/60Hz	Strokes Per Min.	Max. GPD	Min. GPD	Max. GPH	Max. Oz./Min	Max. MI/Min	Max. PSI
P021-352TI	Fixed-60	5.0	1.5	.21	.44	13	150
P031-392TI	Fixed-60	10.0	3.0	.42	.89	26	110
P041-352TI	Fixed-100	14.0	2.8	.58	1.24	37	250
P051-392TI	Fixed-100	24.0	4.8	1.0	2.13	63	110
P061-392TI	Fixed-100	48.0	9.6	2.0	4.26	126	50

### Speed and Stroke Adjustable

Deluxe Models 115V/60Hz	Strokes Per Min.	Max. GPD	Min. GPD	Max. GPH	Max. Oz./Min	Max. MI/Min	Max. PSI
P121-352TI	.6 – 60	5.0	.015	.21	.44	13	150
P131-392TI	.6 – 60	10.0	.03	.42	.89	26	110
P141-352TI	1 – 100	14.0	.03	.58	1.24	37	250
P151-392TI	1 – 100	24.0	.05	1.0	2.13	63	110
P161-362TI	1 – 100	48.0	.10	2.0	4.26	126	50
B111-392TI	1 – 100	38.4	.04	1.6	3.4	101	150
B121-392TI	1 – 100	60.0	.06	2.5	5.3	158	100
B131-362TI	1 – 100	108.0	.11	4.5	9.6	284	50

All pumps come with Three Function Valve (pressure relief, priming aid, line drain).  
Optional Four Function Valve adds anti-syphon/back pressure feature. 230 V.A.C. pumps available.

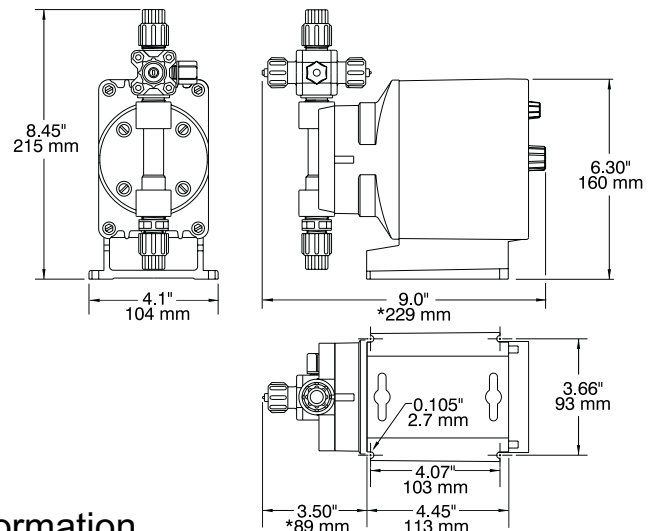
### Standard Materials:

Head	PVDF
Tubing Connectors	PVDF
Cartridge Valves	PVDF/Polyprel
Liquifram	Fluorofilm

### Optional Materials:

Head	Acrylic
Tubing Connectors	PGC
Cartridge Valves	PGC/Polyprel

- Ideal for all soap/wax injection including super concentrates
- Extremely accurate for better wash results and less chemical waste
- Totally enclosed for long life



### Shipping Information

Shipping Dimensions: WIDTH: 11" HEIGHT: 9" DEPTH: 7" SHIPPING WEIGHT: 8 lbs.

	<b>8 Post Office Square</b> <b>Acton, MA 01720 USA</b> <b>TEL: (978) 263-9800</b> <b>FAX: (978) 264-9172</b> <a href="http://www.lmipumps.com">http://www.lmipumps.com</a>
--	--

