



G SERIES DOSING PUMPS

Technical Specifications

- Mechanically actuated PTFE diaphragm
- Flow rate up to 1800 LPH, pressure up to 12 bar
- Adjustment of flowrate from 0%~100% while running or stopped
- Accuracy +/-2% of 100% rated flow
- Maximum temperature of pumped fluid : 40 °C
- Maximum suction lift up to 3 m water, max. suction pressure 2 bar

Features & Benefits

- Mechanical actuated diaphragm design eliminates contour plates
- Variable eccentric drive mechanism for smooth sinusoidal flow
- Rugged construction designed to tough environment
- Oil bath lubrication for all of drive components
- Lockable micrometer stroke adjustment can be adjusted while pump is running or stopped
- PVC, PVDF & 316 SS liquid end material
- Self-cleaning suction/discharge check valve
- Simplified service-easy access to the main components, large open and few assemblies



Capacity / Pressure Tables

Code	LPH @ P _{max}		SPM		P _{max} BarG	Power
	50Hz	60Hz	50Hz	60Hz		
GM0002	2.25	2.7	36	43	12	250W ⁽²⁾
GM0005	4.5	5.4	72	86		
GM0010	9	10.5	144	173		
GM0025	25	30	72	86		
GM0050	50	60	144	173		
GM0090	85	100	72	86	10	
GM0120	120	140	72	86		
GM0170	170	200	144	173		
GM0240	240	280	144	173	7	
GM0330	315	370	144	173		
GM0400	400	480	144	173		
GM0500	500	-	180	-	5	250W/ 370W ⁽²⁾

Code	LPH @ P _{max}		SPM		P _{max} BarG	Power
	50Hz	60Hz	50Hz	60Hz		
GB0080	82	98	36	43	10	550W/ 750W ⁽²⁾
GB0180	167	200	72	86		
GB0250	237	284	102	120		
GB0350	334	400	144	173		
GB0450	416	-	180	-		
GB0500	464	556	144	173	7	
GB0600	583	-	180	-		
GB0700	656	787	102	120		
GB1000	946	1136	144	173	3.5	
GB1200	1200	-	180	-		
GB1500	1500	1400 ⁽¹⁾	180	173 ⁽¹⁾	3	750W
GB1800	1800	-	216	-		

(1) The gear/worm is different from that of 50Hz (2) Motor can be used for both of constant & variable speed application

Automatic Capacity Control Options

- Electrical Capacity Control: Accept external control signal to adjust the stroke length
Power Supply: 220V-50Hz-Single Phase
Input Signal: 4-20mA
- Variable Speed Device: Accept external control signal to adjust the stroke speed
Power Supply: 380/500VAC-50/60Hz-three phase
Input Signal: 4-20mA
- Motor Controller:
"ON/OFF" control the motor (three phase) to adjust the flowrate
Power Supply: 200/240V-50/60Hz-single phase
Input Signal: 4-20mA/Pulse Signal/Manual



GM Series Pump with Motor Controller

Other Options

- Double diaphragm
- Stroke Counter
- Material for special applications

The Liquid End Material

- GM0002~GM0050

Liquid End	Head	Ball Guide	Seat	Ball Check	Diaphragm	O-rings	Connection
PVC	PVC	PVC	Polyprel	Ceramic	PTFE/PVC	Viton	PVC
PVDF	PVDF	PVDF	PTFE	Ceramic	PTFE/PVDF	Viton	PVDF
316L SS	316L SS	316L SS	316L SS	316L SS	PTFE/316L	Viton	316L SS

- GM0090~GM0500

Liquid End	Head	Ball Guide	Seat	Ball Check	Diaphragm	O-rings	Connection
PVC	PVC	PVDF	PE	Glass	PTFE/PP	Viton	PVC
PVDF	PVDF	PVDF	PVDF	Ceramic	PTFE/PVDF	FEP	PVDF
316L SS	316L SS	316L SS	316L SS	316L SS	PTFE/316L	Viton	316L SS

- GB0080~GB1200

Liquid End	Head	Ball Guide	Seat	Ball Check	Diaphragm	O-rings	Connection
PVC	PVC	PVDF/PVC	PVDF/PE	Ceramic	PTFE/PVC	Viton	PVC
PVDF	PVDF	PVDF	PVDF	Ceramic	PTFE/PVDF	Viton	PVDF
316 SS	316 SS	316 SS	316 SS	316 SS	PTFE/316SS	Viton/PTFE	316 SS

Accessories

Pressure relief valve, back pressure valve, pulsation dampener and strainer are available.

Motor Data

Power Supply: 200/230/380/400/460V-50/60Hz-3phase

Enclosure: IP55

Insulation: F

Power (W)	Voltage (V)	Frequency (Hz)	Speed (RPM)	Current (A)	Eff (%)	Power Factor
250	200/400	50	1440	1.66/0.83	67	0.68
550	200/400	50	1440	2.24/1.12	69.5	0.72
550	200/400	50	1440	3.12/1.56	73.5	0.73
750	200/400	50	1440	4.02/2.01	75.5	0.75
250	230/460	60	1700	1.4/0.7	70	0.64
370	230/460	60	1700	2.02/1.01	73	0.63
550	230/460	60	1700	2.76/1.38	77	0.65
750	230/460	60	1700	3.26/1.63	82.5	0.70

Note: IEC/Nema explosion proof motors and single phase motors are available.



Product Code

Code Structure Series Capacity LE Connection Motor Adjustment Base Options

 □□ □□□□ □ □ □ □ □ □

Series

Code	Description
GB	GB Series MAD Metering Pump
GM	GM Series MAD Metering Pump

Capacity

Code	LPH@P _{max}				P _{max} BarG	Power
	50Hz	60Hz	50Hz	60Hz		
0080	82	98	36	43	10	550W 750W ⁽²⁾
0180	167	200	72	86		
0250	237	284	102	120		
0350	334	400	144	173		
0450	416	-	180	-		
0500	464	556	144	173	7	750W
0600	583	-	180	-		
0700	656	787	102	120	3.5	750W
1000	946	1136	144	173		
1200	1200	-	180	-		
1500	1500	1400 ⁽¹⁾	180	173 ⁽¹⁾	3	750W
1800	1800	-	216	-		

GM

Code	LPH@P _{max}				P _{max} BarG	Power
	50Hz	60Hz	50Hz	60Hz		
0002	2.25	2.7	36	43	12	250W ⁽²⁾
0005	4.5	5.4	72	86		
0010	9	10.5	144	173		
0025	25	30	72	86	10	250W ⁽²⁾
0050	50	60	144	173		
0090	85	100	72	86	7	250W
0120	120	140	72	86		
0170	170	200	144	173		
0240	240	280	144	173	5	250W 370W ⁽²⁾
0330	315	370	144	173		
0400	400	480	144	173	5	250W 370W ⁽²⁾
0500	500	-	180	-		

(1) The gear/worm is different from that of 50Hz (2) Motor can be used for both constant & variable speed application

Liquid End

Code	Description
P	PVC Liquid End
S	316SS Liquid End
T	PVDF Liquid End

Code	Description
V	High Viscosity (PVC LE)
K	Slurry (316SS LE, GM0025-0500, GB)
M	Mixed (PVC LE, GM)

Connection

Code	Description	GB0080-0450			GB0500-1200			GB1500-1800			GM0002-0050			GM0090-0500		
		PVC	PVDF	316L	PVC	PVDF	316L	PVC	PVDF	316L	PVC	PVDF	316L	PVC	PVDF	316L
P	NPT, Female	1/2" F	1/2" F	1/2" F	1" F	1" F	1" F	1 1/2" F	1 1/2" F	1 1/2" F	-----	-----	1/2" F	-----	1/2" F	1/2" F
Q	Pipe	DN15	-----	-----	DN25	-----	-----	DN25	-----	-----	-----	-----	-----	DN15	-----	-----
R	Hose Tube	-----	-----	-----	-----	-----	-----	-----	-----	-----	6x12	6x12	-----	-----	-----	-----
H	Hose Tube (High Viscosity Application)	-----	-----	-----	-----	-----	-----	-----	-----	-----	15x23 9x12	-----	-----	DN15	-----	-----
X	Others	Consult factory and describe in order									Consult factory and describe in order					

Note: Shaded range is default

Motor

Code	Description (GB)	Description (GM)
1	550W, IEC71, 1440rpm, 3ph-50Hz-220/380V, IP55/F/TEFC	250W, IEC71, 1440rpm, 3ph-50Hz-220/380V, IP55/F/TEFC
2	1hp, NEMA56C, 1440rpm, 3ph-50Hz-220/380V, NEMA3/TEFC	1/3hp, NEMA56C, 1440rpm, 3ph-50Hz-220/380V, NEMA3/TEFC
3	550W, IEC80, 1440rpm, 3ph-50Hz-220/380V, IP55/F/TEFC/dIIBT4	250W, IEC71, 1440rpm, 3ph-50Hz/380V, IP55/F/TEFC/dIIBT4
4	750W, IEC80, 1440rpm, 3ph-50Hz-220/380V, IP55/F/TEFC	370W, IEC71, 1440rpm, 3ph-50Hz-220/380V, IP55/F/TEFC
5	750W, IEC80, 1440rpm, 3ph-50Hz-220/380V, IP55/F/TEFC/dIIBT4	250W, IEC71, 1440rpm, 1ph-50Hz-220V, IP55/F/TEFC
6	550W, IEC71, 4 pole, 3ph-50Hz-220/400V, 3ph-60Hz-230/460V, IP55/F/TEFC	250W, IEC71, 4 pole, 3ph-50Hz-200/400V, 3ph-60Hz-230/460V, IP55/F/TEFC
7	750W, IEC80, 4 pole, 3ph-50Hz-200/400V, 3ph-60Hz-230/460V, IP55/F/TEFC	370W, IEC71, 4 pole, 3ph-50Hz-200/400V, 3ph-60Hz-230/460V, IP55/F/TEFC
9	Others, Consult Factory	Others, Consult Factory

Adjustment

Code	Description (GB)	Description (GM)	Remark
M	Manual Adjustment	Manual Adjustment	default
N	ECC, 4-20mA, 230VAC-1ph	ECC, 4-20mA, 230VAC-1ph	
E	ECC, 4-20mA, 230VAC-1ph, Explosion proof	-----	GM0010, 0050, 0170, 0240, 0330, 0400
F	Variable Frequency Device, 4-20mA, 3ph, 230/380/415/440V	Variable Frequency Device, 4-20mA, 3ph, 230/380/415/440V	
P	-----	Motor "ON/OFF" Controller	

Base

Code	Description	Remark
N	None	default
Y	Base Plate	GB

Options

Code	Description (GB)	Description (GM)	Remark
N	N/A	N/A	default
A	Stroke Counter	Stroke Counter	
B	Double Diaphragm	Double Diaphragm (GM0002-0240)	Including gauge

Note:

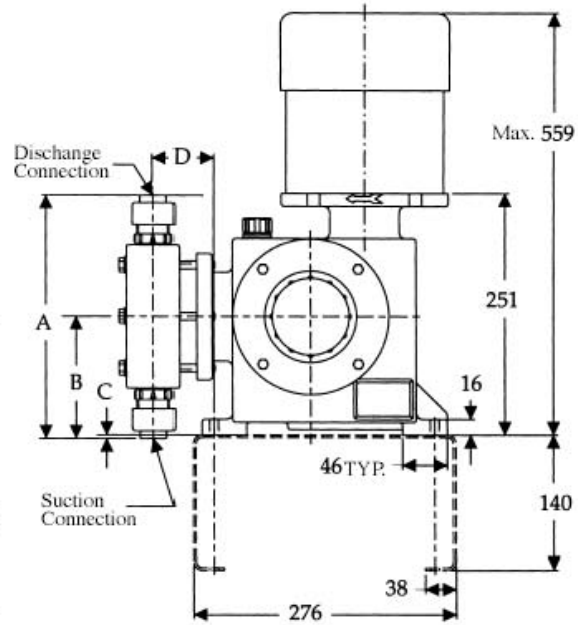
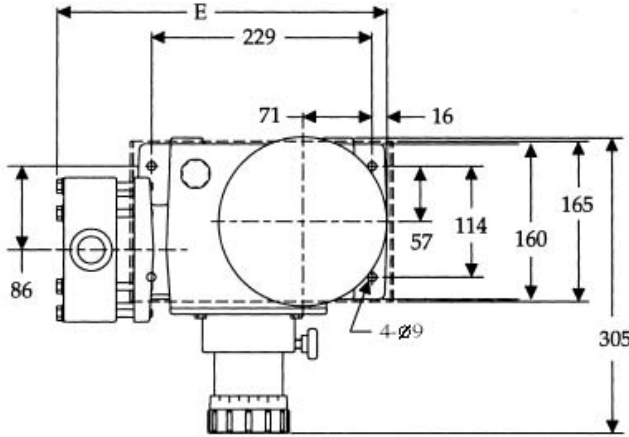
- For any special requirement, please consult PRYDE Measurement on 1800 688 211.



Pump Outline Drawing

• GB Series

LE Material	A (mm)	B (mm)	C (mm)	D (mm)	E (mm)
0080~0450 Metallic	260	130	4	60	341
0080~0450 Plastic	237	126	5	62	341
0500~0600 Metallic	338	169	46	76	356
0500~0600 Plastic	286	143	19	71	356
0700~1800 Metallic	414	207	85	98	387
0700~1800 Plastic	362	181	59	98	387



• GM Series

LE Material	GM0002~GM0050			GM0090~GM0500				
	Conn.Code	A	B	C	Conn.Code	A	B	C
PP	P	108	116	250	Q	127	159	322
PVDF	P	108			N	131		
316 SS	N	102			N	131		

