

Smart Solutions. Powerful Products.



PBV[®] Cast Oilpatch Floating Ball Valves

Contents

PBV® Cast Oilpatch Floating Ball Valves

Series PA / PAH

Standard Features & Dimensional Data 2
 Parts, Materials & Engineering Data 3

Series PE

Standard Features & Dimensional Data 6
 Parts, Materials & Engineering Data 7

Series PC/PCH/PCL/PCXH/PCSH

Standard Features & Dimensional Data 4
 Parts, Materials & Engineering Data 5

PBV® Series PA/PAH Threaded Cast Floating Ball Valves “The Patch”, Quality Economical Valves Built for Extreme Oilfield Service

Standard Features

Series PA: 1" FP thru 4" RP at 1000 to 1500 psi WOG

Series PAH: 1" FP thru 2" RP at 2000 psi WOG

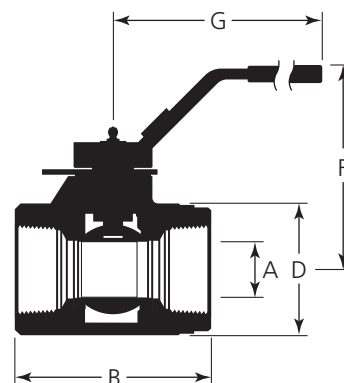
- 316 Stainless Steel Trim
- Locking Devices for Added Security
- Two-Piece Construction
- Rugged Handle and Superior Wall Thickness for Tough Oilpatch Applications
- Blowout Proof Backseated Stem Design for Added Safety
- Seats & Seals to Your Specifications
- Grease Fitting on Stem Allows Constant Lubrication and Protection Against Corrosion and Moisture
- Meets NACE MR0175 2002



Dimensional Data (in.)

Series PA, ASTM A395 Ductile Iron

Size (in.)	Pressure (psi)	A	B	D	F	G	Weight (lbs.)	Valve Figure Numbers
1 x 1	1500	1	4	2 27/64	3 9/64	6 19/64	4	PA-NV
1 1/2 x 1 1/2	1500	1 1/2	5 1/2	3 1/2	5 17/32	8 1/2	13	PA-NV
2 x 1 1/2	1500	1 1/2	5 1/2	3 1/2	5 17/32	8 1/2	13	PA-NV
2 x 2	1500	2	6	4 19/64	5 29/32	8 1/2	20	PA-NV
2 1/2 x 2 1/2	1500	2 9/16	7	5 13/64	6 19/32	15	30	PA-NV
3 x 2	1500	2	7 19/64	4 29/64	5 29/32	8 1/2	19	PA-NV
3 x 3	1000	3	8 3/4	5 5/8	6 7/8	15	44	PA-NV
4 x 3	1000	3	8 3/4	5 5/8	6 7/8	15	40	PA-NV

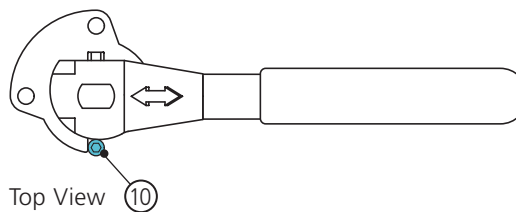
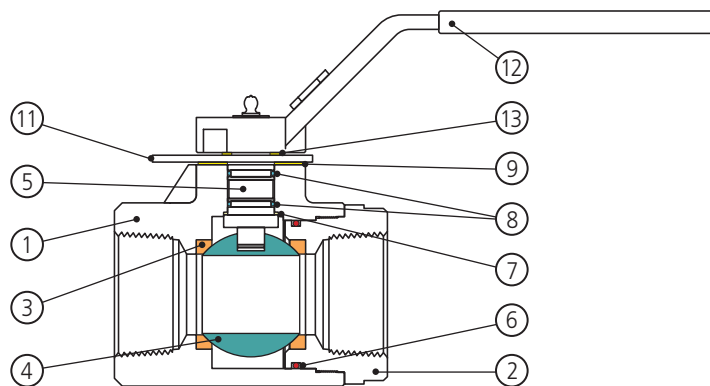


Series PAH, ASTM A395 Ductile Iron

Size (in.)	Pressure (psi)	A	B	D	F	G	Weight (lbs.)	Valve Figure Numbers
1 x 1	2000	1	4	2 27/64	3 9/64	6 19/64	4	PAH-NV
2 x 1 1/2	2000	1 1/2	5 1/2	3 1/2	5 17/32	8 1/2	12	PAH-NV

PBV® Series PA/PAH Threaded Cast Floating Ball Valves

Parts, Materials & Engineering Data



Parts & Materials

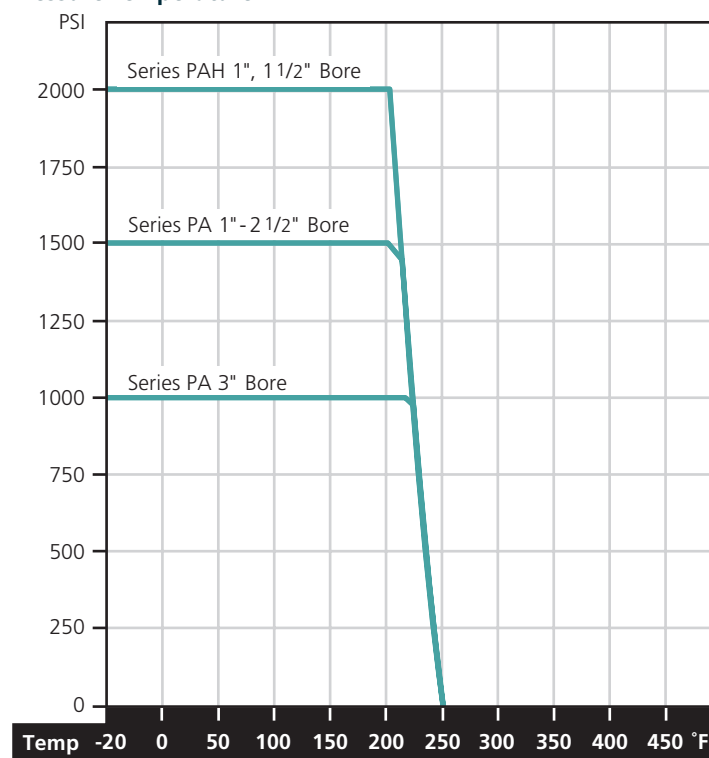
No.	Qty.	Description	Materials, Series PA/PAH
1	1	Body	ASTM A395 Ductile Iron
2	1	Adapter	ASTM A395 Ductile Iron
3	2	Seat	Nylon + MOS ₂
4	1	Ball	316 Stainless Steel
5	1	Stem	316 Stainless Steel
6	1	Body Seal	Viton®
7	1	Thrust Bearing	PTFE
8	2	Stem Seal	Viton®
9	1	Spacer	PTFE
10	1	Stop Screw	Steel
11	1	Stop Plate	Steel Cadmium Plated
12	1	Handle	Carbon Steel
13	1	Retainer	Spring Steel

Note: We reserve the right to change materials and specifications.

Break Torques (ft.-lbs.)

Size (in.)							
1 x 1	1 1/2 x 1 1/2	2 x 1 1/2	2 x 2	2 1/2 x 2 1/2	3 x 2	3 x 3	4 x 3
29	50	50	94	94	94	152	152

Pressure Temperature



PBV® Series PC/PCH/PCL/PCXH/PCSH Cast & SS Floating Ball Valves

The Cast Solution for Pressures from 1500 to 5000 psi

And All Stainless Steel PCSH for Corrosive Applications

Standard Features

Series PC/PCL: 1" FP thru 4" RP at 1500 to 2500 psi WOG

Series PCH: 1" FP thru 2 1/2" RP at 3000 psi WOG

Series PCXH 2" RP at 5000 psi WOG

Series PCSH 2" RP and 2" FP at 3000 psi WOG

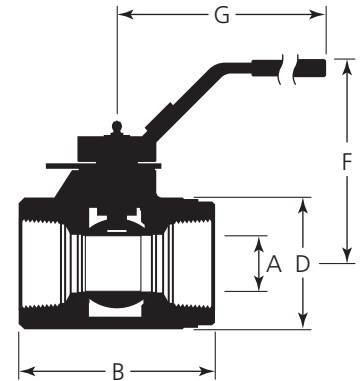
- 316 Stainless Steel Trim
- Locking Devices for Added Security
- Two-Piece Construction
- Rugged Handle and Superior Wall Thickness for Tough Oilpatch Applications
- Blowout Proof Backseated Stem Design for Added Safety
- Seats & Seals to Your Specifications
- Grease Fitting on Stem Allows Constant Lubrication and Protection Against Corrosion and Moisture
- Meets NACE MR0175 2002



Dimensional Data (in.)

Series PCL, ASTM A352 Gr. LCC • Series PC, ASTM A216 Gr. WCB

Size (in.)	Pressure (psi)	A	B	D	F	G	Weight (lbs.)	Valve Figure Numbers
1 x 1	2500	1	4	2 27/64	3 9/64	6 19/64	4	PC-NV/PCL-NR
1 1/2 x 1 1/2	2500	1 1/2	5 1/2	3 1/2	5 17/32	8 1/2	14	PC-NV/PCL-NR
2 x 1 1/2	2500	1 1/2	5 1/2	3 1/2	5 17/32	8 1/2	13	PC-NV/PCL-NR
2 x 2	2160	2	6	4 19/64	5 29/32	8 1/2	20	PC-NV/PCL-NR
2 1/2 x 2 1/2	2160	2 9/16	7	5 13/64	6 19/32	15	32	PC-NV/PCL-NR
3 x 2	2160	2	7 19/64	4 29/64	5 29/32	8 1/2	23	PC-NV/PCL-NR
3 x 3	1500	3	8 3/4	5 5/8	6 7/8	15	50	PC-NV/PCL-NR
4 x 3	1500	3	8 3/4	5 5/8	6 7/8	15	45	PC-NV/PCL-NR
4 x 4	750	4 1/16	9 3/8	7 1/2	7 7/8	18 7/64	71	PC-NV/PCL-NR



Series PCH, ASTM A216 Gr. WCB

Size (in.)	Pressure (psi)	A	B	D	F	G	Weight (lbs.)	Valve Figure Numbers
1 x 1	3000	1	4	2 27/64	3 9/64	6 19/64	4	PCH-NV
2 x 1 1/2	3000	1 1/2	5 1/2	3 1/2	5 17/32	8 1/2	13	PCH-NV
2 x 2	3000	2	6	4 19/64	5 29/32	8 1/2	20	PCH-NV

Series PCXH, ASTM A216 Gr. WCB

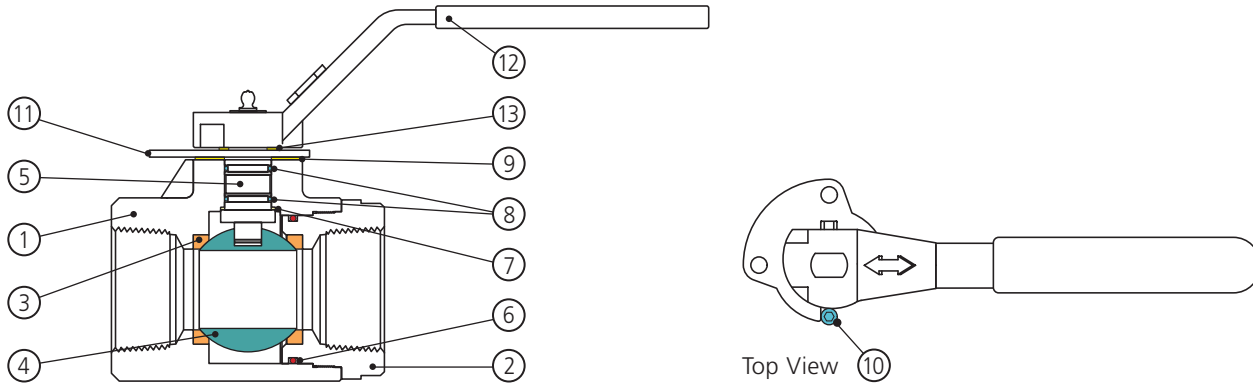
Size (in.)	Pressure (psi)	A	B	D	F	G	Weight (lbs.)	Valve Figure Numbers
2 x 1 1/2	5000	1 1/2	5 1/2	3 1/2	5 17/32	8 1/2	15	PCXH-PV

Series PCSH, Stainless Steel CF8M

Size (in.)	Pressure (psi)	A	B	D	F	G	Weight (lbs.)	Valve Figure Numbers
2 x 1 1/2	3000	1 1/2	5 1/2	3 1/2	5 17/32	8 1/2	14	PCSH-NV
2 x 2	3000	2	6	4 19/64	5 29/32	8 1/2	20	PCSH-NV

PBV® Series PC/PCH/PCL/PCXH/PCSH Cast & SS Floating Ball Valves

Parts, Materials & Engineering Data

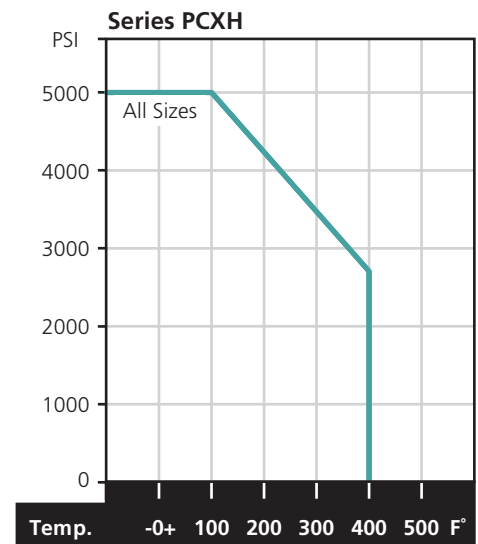
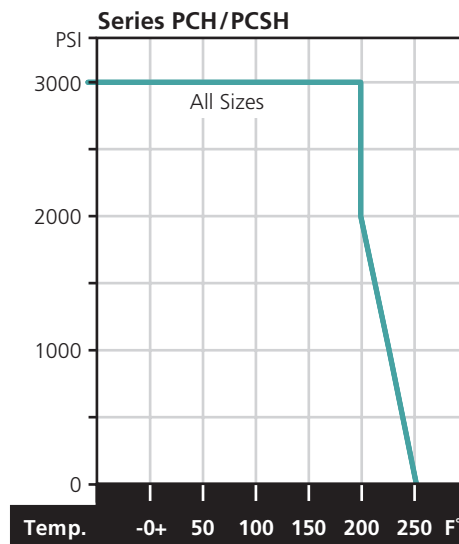
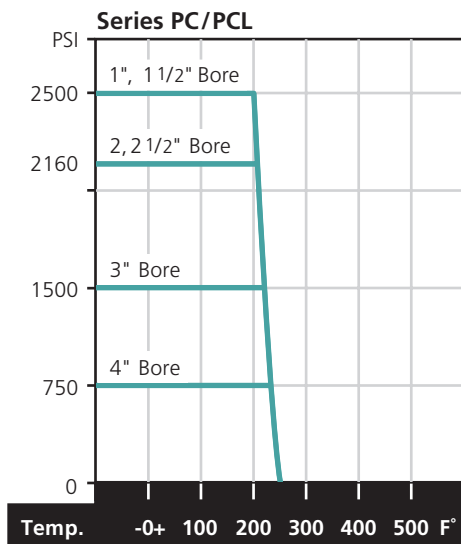


Parts & Materials

No.	Qty.	Description	Series PC/PCH	Series PCL	Series PCXH	Series PCSH
1	1	Body	ASTM A216 Gr. WCB	ASTM A352 Gr. LCC	ASTM A216 Gr. WCB	Stainless Steel CF8M
2	1	Adapter	ASTM A216 Gr. WCB	ASTM A352 Gr. LCC	ASTM A216 Gr. WCB	Stainless Steel CF8M
3	2	Seat	Nylon + MOS ₂	Nylon + MOS ₂	PEEK™	Nylon + MOS ₂
4	1	Ball	316 Stainless Steel	316 Stainless Steel	316 Stainless Steel	316 Stainless Steel
5	1	Stem	316 Stainless Steel	316 Stainless Steel	316 Stainless Steel	316 Stainless Steel
6	1	Body Seal	Viton®	Low Temp Buna	Viton®	Viton®
7	1	Thrust Bearing	PTFE	PTFE	PTFE	PTFE
8	2	Stem Seal	Viton®	Low Temp Buna	Viton®	Viton®
9	1	Spacer	PTFE	PTFE	PTFE	PTFE
10	1	Stop Screw	Steel	Steel	Steel	Steel
11	1	Stop Plate	Steel Cadmium Plated	Steel Cadmium Plated	Steel Cadmium Plated	Steel Cadmium Plated
12	1	Handle	Carbon Steel	Carbon Steel	Carbon Steel	Carbon Steel
13	1	Retainer	Spring Steel	Spring Steel	Spring Steel	Spring Steel

Note: We reserve the right to change materials and specifications.

Pressure Temperature



Break Torques (ft. -lbs.)

Size (in.)								
1 x 1	1 1/2 x 1 1/2	2 x 1 1/2	2 x 2	2 1/2 x 2 1/2	3 x 2	3 x 3	4 x 3	4 x 4
29	50	50	94	94	94	152	152	250

PBV® Series PE Cast Floating Ball Valves

The Economical Solution for Pressures from 750 to 1000 psi

Standard Features

Series PE: 2", 3" and 4" RP at 750 to 1000 psi WOG

- 316 Stainless Steel Trim
- Two-Piece Construction
- Blowout Proof Stem Design
- Seats & Seals to Your Specifications
- Grease Fitting on Stem Allows Constant Lubrication and Protection Against Corrosion and Moisture
- Reinforced Second Generation High Performance Teflon® TFM Seat
- Meets NACE MR0175 2002



Dual Locking Devices are Standard for Material Custody Transfer Applications

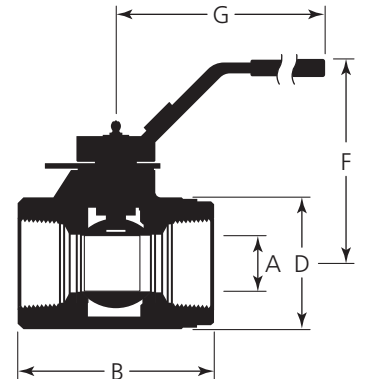


Ideally Suited for Tank Battery & Production Lines Replacing Lubricated Cast Iron Plug Valves

Dimensional Data (in.)

Series PE, ASTM A395 Ductile Iron

Size (in.)	Pressure (psi)	A	B	D	F	G	Weight (lbs.)	Valve Figure Numbers
2 x 1 1/2	1000	1 1/2	5 1/2	3 1/2	5 17/32	8 1/2	13	PE-CV
3 x 2	750	2	7 19/64	4 29/64	5 29/32	8 1/2	17	PE-CV
4 x 3	750	3	8 3/4	5 5/8	6 7/8	15	36	PE-CV

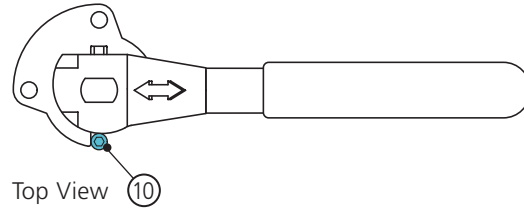
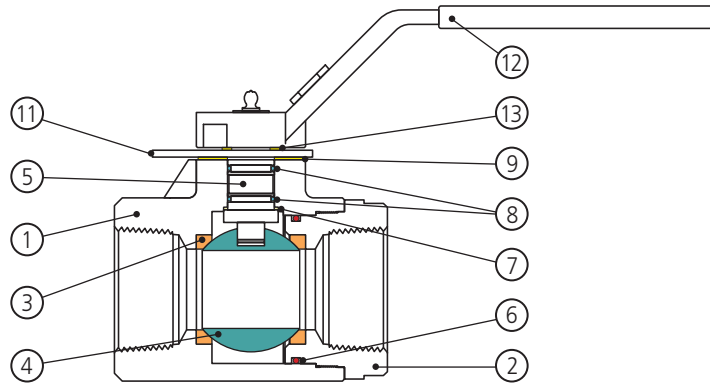


All PBV® Valves are Manufactured in Strict Conformance with the Following Industry Standards:

- ISO 9001 Quality System
- NACE MR0175 2002 Sulfide Stress Cracking Resistant Metallic Materials for Oilfield Equipment
- Canadian Registration Number (CRN) Products Registered in all Provinces and Territories

Series PE Cast Floating Ball Valves

Parts, Materials & Engineering Data



Parts & Materials

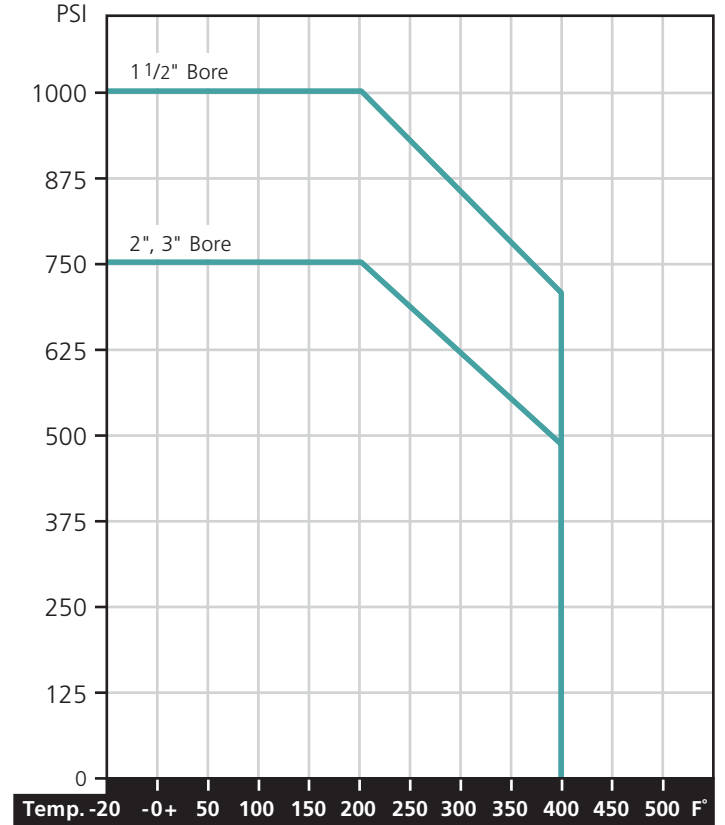
No.	Qty.	Description	Materials, Series PE
1	1	Body	ASTM A395 Ductile Iron
2	1	Adapter	ASTM A395 Ductile Iron
3	2	Seat	TFMC
4	1	Ball	316 Stainless Steel
5	1	Stem	316 Stainless Steel
6	1	Body Seal	Viton®
7	1	Thrust Bearing	PTFE
8	2	Stem Seal	Viton®
9	1	Spacer	PTFE
10	1	Stop Screw	Steel
11	1	Stop Plate	Steel Cadmium Plated
12	1	Handle	Carbon Steel
13	1	Retainer	Spring Steel
14	1	Chain	Carbon Steel
15	1	Ribbon Lock	Copper Tube

Note: We reserve the right to change materials and specifications.

Break Torques (ft.-lbs.)

Size (in.)		
2 x 1 1/2	3 x 2	4 x 3
50	94	152

Pressure Temperature



Our goal is to become the leading provider of mission critical oilfield products and related services in terms of customer satisfaction, safety and financial performance.

Our experienced management team and employees are dedicated to solving our customers' problems. We invest in long term relationships and cooperate on product development with our clients, we consider them our partners.

OUR CORE VALUES

Integrity: In everything we do, in every interaction, both internally and externally, we strive to operate with the upmost integrity and mutual respect.

Long-term view: We are building our company for the long-term, a company that we can be proud of.

Open communication: We believe partnerships with our customers and co-workers must be based on trust, professionalism and transparency.

Customer focused: Our products enhance our customer's performance and we listen to their needs and work with them to solve their challenges.

Good place to work: We are committed to creating a workplace that fosters innovation, teamwork and pride. Every team member is integral to our success and is treated equally and fairly.

No one gets hurt: The safety of our employees and customers is our first priority coupled with a healthy respect for the environment.

For more information about our products and full Terms & Conditions please visit www.f-e-t.com.



12735 Dairy Ashford Road
Stafford, Texas 77477
281.637.2000 [m] 800.256.6193 [tf] 281.340.5499 [f]
www.f-e-t.com