

rotork® Controls

Actuators used in many industries sometimes have to be mounted in places where it is hazardous, inconvenient or just unpleasant for a human to operate. In these cases it is useful to be able to see the status and locally operate an actuator from a safe distance.

Typically in this situation you would be faced with a simplistic interface for basic operation and indication, however Rotork's superior solution allows the user to have the exact same interface as though stood in front of the actuator.

Using the same display and controls interface from the IQ 3rd generation actuator, users can remotely operate, interrogate and configure the IQ actuator from up to 100 m distance. Due to the familiar, feature rich interface, set up couldn't be simpler using the Rotork *Bluetooth*® Setting Tool Pro supplied with the IQ.

Duplicating the full functionality of the IQ, data logs can be viewed and downloaded locally at the Remote Hand Station (RHS) instead of gaining access to the actuator. Power for the RHS is supplied by the actuator, removing the need for supplementary power supplies.

Features and Benefits

- Installation using standard data cable, up to 100 metres away from the actuator
- Pole or wall mountable
- Replica of IQ 3rd generation user interface, including setup and configuration
- Powered via the attached actuator (24 VDC output)
- Explosionproof option available
- Enclosure IP66 / IP68 (7 m, 72 Hours)
- Double-sealed
- Simple setup
- Actuator data logs available for viewing and downloading locally



Remote Hand Station

Remote field operation for
IQ 3rd generation actuators

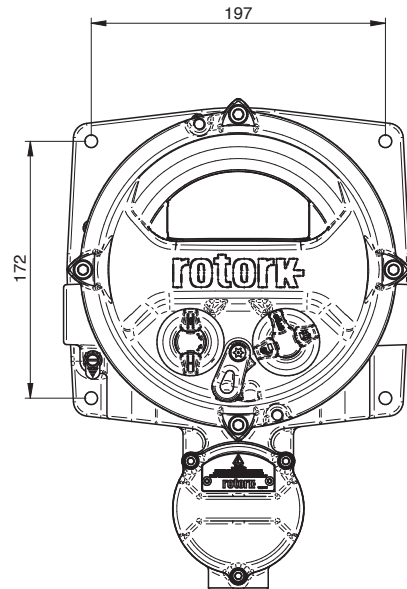


Typical RHS installation shown

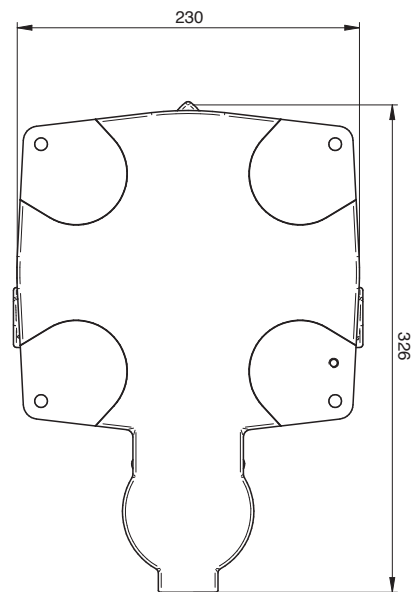
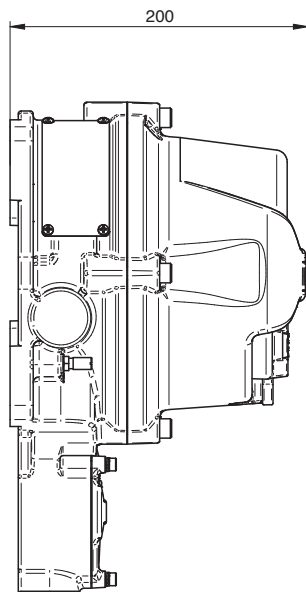
Redefining Flow Control

Specification

Type	Standard	Optional
Enclosure Non-Hazardous	IP66 / IP68 (7 m / 72 hours), NEMA 4, 4X & 6, Double-sealed	–
Enclosure Hazardous	ATEX, CSA, CSAus and IEC	–
Temperature Range	-30 to +70 °C (-22 to +158 °F)	-50 °C (-58 °F)
Power Supply	Actuator derived 24 VDC	–
Mounting Options	Wall or pole mounted	–
Coating	Polyester powder coated	Off-shore paint, special colours
Support Tools	Rotork <i>Bluetooth</i> ® Setting Tool Pro, Insight2	–
Local Control	Non-Intrusive, Local/Stop/Remote (lockable) selector and Open/Close selectors	Vandal-proof cover



Drawing dimensions in millimetres



A full listing of the Rotork sales and service network is available on our website.

www.rotork.com

Corporate Headquarters

Rotork plc
tel +44 (0)1225 733200
fax +44 (0)1225 333467
email mail@rotork.com

USA

Rotork Controls Inc.
tel +1 (585) 247 2304
fax +1 (585) 247 2308
email info@rotork.com

Controls

Electric Actuators and Control Systems

Fluid Systems

Fluid Power Actuators and Control Systems

Gears

Gearboxes and Gear Operators

Instruments

Precision Control and Indication

Site Services

Projects, Services and Retrofit

