



PRO MV Medical Vacuum Filters

Models | XM241MV to XM472FMV

Designed to meet the requirements of the global medical gas pipeline standards, PRO MV offers an innovative and compact alternative to Fabricated Flanged Medical Vacuum Filters. By expanding the range to include threaded variants, PRO MV delivers a comprehensive product range for use in medical vacuum installations.

Situated on the suction side of a vacuum pump, PRO MV is designed for use in critical medical applications to remove solid, liquid and bacterial contamination. Providing complete peace of mind that potentially hazardous biological contagions are prevented from entering the vacuum pump and being exhausted into the surrounding environment.

Designed to comply with NFPA 99, HTM 02-01, ISO 7396-1 and AS 2896



Top loading design
 For easy access to the filter element via top endcap for quick and simple change out



Threaded and Flanged Filters
 2" to 3" NPT, Rp (BSPP) and ANSI compatible 150lb (3" and 4") flanged connections



Unique Filter Element
 New patented endcap enhances air flow and reduces differential pressure

- **High Efficiency Medical Grade Filter Element** PRO MV's unique filtration media and deep pleated element technology provides minimal pressure loss and improved dirt holding capacity. Low pressure loss borosilicate glass microfiber-media reduces energy consumption for low total cost of ownership
- **Quick and Easy Maintenance** Engineered profiled O-ring seal prevents air bypass, protecting the 'Easy Grip' filter element handle from coming into contact with contaminants, allowing clean and efficient element change out
- **Exceptional Build Quality** Manufactured using the highest quality materials, our PRO MV Medical Vacuum range provides complete reassurance that required standards are met
- **'Drop and Lock' Filter Element** 'Easy Grip' element handle and 'drop and lock' feature simplifies element change out - offering up to 80% savings in service and installation time*



*when comparing PRO MV flanged filters with traditional fabricated vessels

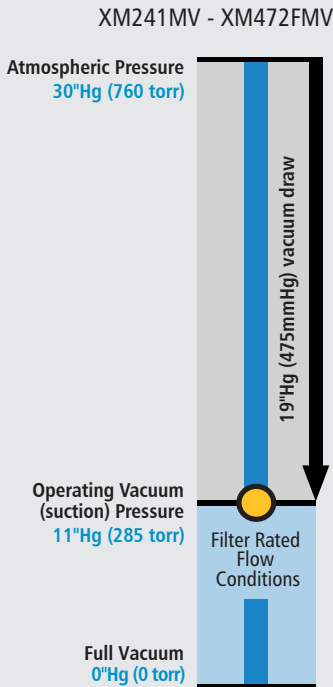


For further information please call: +1 814 836 2900

Technical Specification

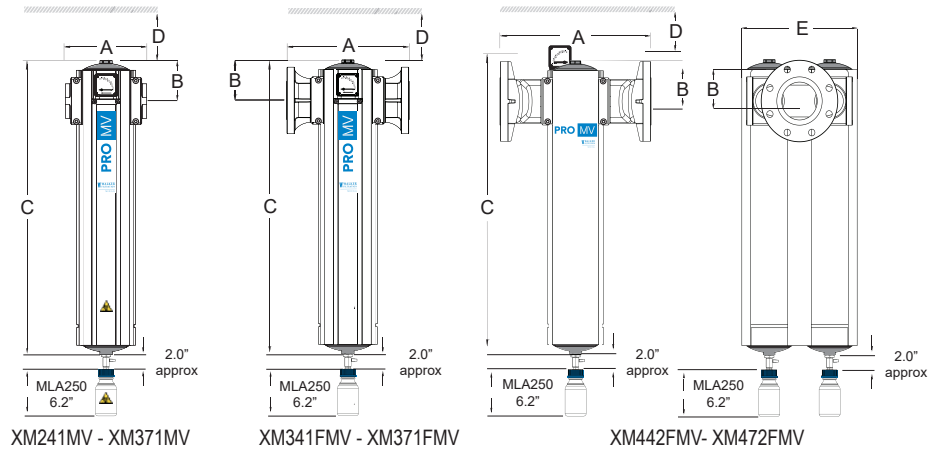
Filter model	Pipe size inches	Maximum Rated Flow at an Operating Vacuum (Suction) Pressure of 19" Hg (475 mmHg) [(285 Torr)]						Dimensions inches (mm)					Weight		Element model	No. of elements
		Free Air Aspirated (FAA)			Rarified Air Flow			A	B	C	D	E	lbs	Kg		
		SCFM	NL/min	Nm³/hr	CFM	L/min	m³/h									
XM241MV	2	81	2300	138	215	6081	365	9.13 (232)	4.57 (116)	24.4 (620)	21.65 (550)	6.73 (171)	28.2	12.8	E1142MV	1
XM251MV	2	106	3000	180	280	7932	476	9.13 (232)	4.57 (116)	24.4 (620)	21.65 (550)	6.73 (171)	28.2	12.8	E1142MV	1
XM341MV	3	117	3300	198	308	8725	523	9.13 (232)	4.57 (116)	24.4 (620)	21.65 (550)	6.73 (171)	28.2	12.8	E1142MV	1
XM361MV	3	148	4000	240	373	10575	635	9.13 (232)	4.57 (116)	33.1 (840)	29.53 (750)	6.73 (171)	36.4	16.5	E1162MV	1
XM371MV	3	162	4500	270	420	11897	714	9.13 (232)	4.57 (116)	39.3 (998)	37.40 (950)	6.73 (171)	42.0	19.0	E1172MV	1
XM341FMV 3" flanged	3" flanged	233	3300	198	308	8725	523	13.86 (352)	4.57 (116)	24.4 (620)	21.65 (550)	6.73 (171)	37.0	16.7	E1142MV	1
XM361FMV 3" flanged	3" flanged	297	4000	240	373	10575	635	13.86 (352)	4.57 (116)	33.1 (840)	29.53 (750)	6.73 (171)	45.0	20.4	E1162MV	1
XM371FMV 3" flanged	3" flanged	323	4500	270	420	11897	714	13.86 (352)	4.57 (116)	39.3 (998)	37.40 (950)	6.73 (171)	50.5	22.9	E1172MV	1
XM442FMV 4" flanged	4" flanged	233	6600	396	616	17449	1047	17.72 (450)	4.57 (116)	26.5 (670)	21.65 (550)	13.50 (343)	68.0	30.8	E1142MV	2
XM462FMV 4" flanged	4" flanged	283	8000	480	747	21151	1269	17.72 (450)	4.57 (116)	35.0 (890)	29.53 (750)	13.50 (343)	83.1	37.7	E1162MV	2
XM472FMV 4" flanged	4" flanged	318	9000	540	840	23795	1428	17.72 (450)	4.57 (116)	41.3 (1048)	37.40 (950)	13.50 (343)	93.3	42.3	E1172MV	2

NOTE: Rated flows are stated at NFPA 99 conditions. For flows at other operating vacuum pressures, please consult Walker Filtration Inc. Operating vacuum (suction) pressure is stated at the filter outlet (i.e. vacuum pump or suction side). Standard (reference) atmosphere: 101.325 kPa (1013.25 mbar(a)), 68°F (20°C)



Grade	MV
Particle removal efficiency	>99.997%*
Pressure loss - clean & dry	≤ 3 kPa (0.44 psi / 30 mbar)
Maximum temperature	140°F (60°C)
Maximum working pressure	7 psig (0.5 barg)
Maximum working vacuum	Full Vacuum
Element end cap color	Black

*Inc accordance with NFPA99, HTM 02-01, ISO 7396-1 and AS 2896.



Technical Notes

- Direction of flow is outside to in through the element.
- Differential Pressure Gauge (65DPG250B) is fitted to all models as standard. Volt free contact options are available.
- Manual Drain Valve (MDV25XM) is fitted to all models. Sterilizable glass drain flasks are supplied as standard, 250ml for all models.
- Threaded connections are ANSI/ASME B1.20.1 as standard. Rc (BSP Taper) to ISO 7-1 upon request.
- Flanged connections are ANSI B16.5 class 150lb (3") and (4") as standard. EN 10925, DN80 PN16 (3") and DN100 PN16 flanged (4") connections are available upon request. Please contact your sales representative for ordering information.
- Floor Mounting Brackets (XMMBK2 and XMMBK3) are available for all models. Wall Mounting Brackets (XFMBK1) available for models XM241MV to XM371MV.
- Filter elements should be replaced at least every 6 months.

CRN



Walker Filtration Inc, 4748 Pacific Avenue, Erie, PA 16506, USA
 tel: +1 814 836 2900 fax: +1 814 836 7921 email: usa@walkerfiltration.com web: www.walkerfiltration.com